

P11LTE

Entry-level Color Screen 4G LTE IP phone

Flyingvoice P11LTE color screen entry-level 4G LTE IP phone is equipped with a 2.4-inch 320*240px color display with backlight. It adopts a simple appearance design and button layout to provide users with a good visual experience. P11LTE phone integrates 4G LTE module, provides a card slot for external SIM card, allowing users to plug and play which can meet the use of LTE network frequency bands in multiple regions. It also supports 100M wired network access to meet the different network needs of corporate offices. In addition, P11LTE phone also supports HD voice, six-way conference, and is easy to install, meeting different application scenarios for desktop office and wall-mounted use.



Key Features



4G SIM card, Convenient Networking

P11LTE phone integrates LTE module inside, which supports full-duplex FDD, and can plug in a SIM card to make networking more convenient. With its 4G mobile network, it easily handles all kinds of network-less environments.



HD Voice, Better Calls

P11LTE phone supports Opus wideband audio codec, adopts advanced echo cancellation technology and intelligent noise cancellation technology to provide users with HD voice and achieve better voice call effect.



Easy Installation, Easy Deployment

P11LTE phone is combined with FRPS system and FACS platform for unified, fast and efficient batch deployment, which greatly reduces time and labor costs, and facilitates management, upgrade and maintenance.



High security and compatibility

P11LTE phone uses SRTP and TLS call encryption technology to protect your call security well. They are widely compatible with SIP based devices and PBX platforms such as Broadsoft, Metaswitch and Yeastar, etc.

- 2.4" 320x240px color screen LCD
- 2 x 10/100 Mbps Ethernet ports
- 1 x SIM card slot (support LTE network)
- 6-Way audio conference
- 2 SIP accounts
- HD Voice
- Opus
- Support RJ9 headset
- Wall mountable

Place order			
Model	P11LTE NA	P11LTE SA	P11LTE CN
Module	EG95-NAX	EG915U-LA	EC800M-CN
Region	North America	South America	China / India
Category	Cat 4	Cat 1	Cat 1
Frequency Band	> LTE-FDD: B2/4/5/12/13/25/26 > WCDMA: B2/4/5	> LTE-FDD: B2/3/4/5/7/8/28/66 > GSM: B2/3/5/8	> LTE-FDD: B1/3/5/8/34/38/39/40/41 > LTE-TDD: B34/38/39/40/41
GPSS (Optional)	> GPS/GLONASS/BDS/Galileo/QZSS	/	> GPS/BDS/GLONASS/Galileo
Transmission Rate (FDD)	> Uplink: 50 Mbps > Downlink: 150 Mbps	> Uplink: 5 Mbps > Downlink: 10 Mbps	> Uplink: 5 Mbps > Downlink: 10 Mbps
Certification	> FC / IC / RoHS / WEEE	/	> FCC/ CE/ RoHS/ Anatel

Phone Features	
LCD Screen	> 2.4" 320*240px color display with an adjustable backlight > 16-bit depth color
Function Keys	> 7 Function keys: message, headset, transfer, mute, redial, hands-free speakerphone, record > 4 Soft keys, 4 navigate keys, volume+/-
SIP Accounts	> 2 SIP accounts
Ethernet Ports	> 2*10/100M (Adaptive)
Other Ports	> 1 x handset port, 1 x RJ9 headset port
SIM card slot	> 1

Call Features	
Basic Function	> Call hold, mute, DND, redial, auto answer, one-touch speed dial, hotline, SMS, call forward, call waiting, call transfer (attended/blind), Paging, voice mail, anonymous call, anonymous call rejection, message waiting indicator (MWI)
Direct IP Call	> Supported
Phonebook	> 2000 records; Black list; XML/LDAP remote phonebook; Phonebook search/import/export;
Call History	> 240 records; call history: all/missed/dialed/received
6-Way Conference	> Supported

Audio Features	
HD Voice	> HD handset, HD speaker
Audio Codec	> G.722, Opus, AMR-WB(Optional), G.711WB(Optional), G.711(A/u), iLBC, G.729A/B, G.723, G.723.1, G.726, AMR-NB(Optional)
DTMF	> In-band, RFC 2833, SIP info

Network and Security	
Network and Security	> SIP v1 (RFC2543), v2 (RFC3261), NAT Traversal by STUN > SIP link mode: Proxy mode and peer-to-peer SIP link mode > Call server redundancy supported > HTTP/HTTPS web server

	<ul style="list-style-type: none"> > Static IP and DHCP, IPv4 /IPv6, Dual stack IPv4/IPv6 > ARP/RARP; DNS A/DNS SRV/DNS NAPTR > LLDP/CDP/DHCP VLAN; > IEEE802.1X; OpenVPN; PPPoE; SSH, L2TP VPN > QoS: 802.1p/Q tagging (VLAN), Layer 3 ToS DSCP > SRTP for voice > Time and Date Synchronization: SNTP, PBX, DHCP > Transport: UDP/TCP/TLS (TLS 1.2); RTP/RTCP/SRTP
--	----------------------------------------------------------------------------------------------------------------------------------------------------------------------------------------------------------------------------------------------------------------------------------------------------------------------------------------------------------------------------------------------------------------------------------------------------------------------------

Management

Auto-provision	<ul style="list-style-type: none"> > TR069 (TR104/TR106) > FTP/TFTP/HTTP/HTTPS for Auto Provisioning > Cloud device management: FACS > Cloud device management: FRPS > DHCP Option66
-----------------------	--------------------------------------------------------------------------------------------------------------------------------------------------------------------------------------------------------------------------------------------------------

Configuration	<ul style="list-style-type: none"> > Configuration: browser/phone/auto-provision > Phone lock for personal privacy protection > Factory reset, reboot > Packet capture, system log
----------------------	------------------------------------------------------------------------------------------------------------------------------------------------------------------------------------------------------------------------------------------

Others

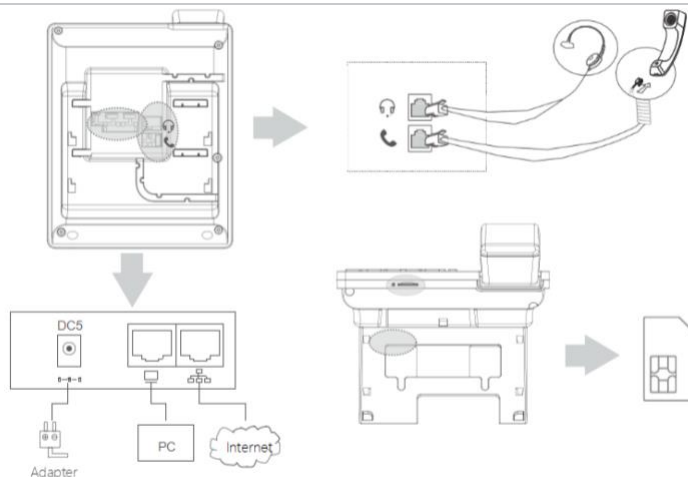
Physical Features	<ul style="list-style-type: none"> > New stand, wall mountable > AC/DC adapter, AC input: 100~240V, 50~60Hz > DC Output: 5V1A(NA/SA), 5V, 0.6A(CN) > Power consumption (PSU): 0.87~1.18W > Power consumption (PoE): 0.72~1.78W > Relative humidity: 10%~90% (No Condensing) - Storage temperature: -25~ 65°C - Operation temperature: -10~50°C > Dimension (W x D x H): 200mm x 165mm x 47mm
--------------------------	----------------------------------------------------------------------------------------------------------------------------------------------------------------------------------------------------------------------------------------------------------------------------------------------------------------------------------------------------------------------------------------------------------------------------------------------------------------------------------------------------------

Package Content

Details	<ul style="list-style-type: none"> > Packing List: <ul style="list-style-type: none"> - Flyingvoice P11LTE, power adapter (optional) - Handset with handset cord, Ethernet cable, stand - Quick Installation Guide > Size: <ul style="list-style-type: none"> > Qty/CTN: 10 PCS, N.W/CTN: 7.5 kg, G.W/CTN: 9.47 kg > Giftbox size: 288mm * 217mm * 60mm > Carton size: 448mm * 320mm * 302mm
----------------	---------------------------------------------------------------------------------------------------------------------------------------------------------------------------------------------------------------------------------------------------------------------------------------------------------------------------------------------------------------------------------------------------------------------------------------------------------------------------------------------------------

Certification & Compatibility

Compatible with	  
------------------------	-------------------------------------------------------------------------------------------------------------------------------------------------------------------------------------------------------------------------------------------------------------





About FLYINGVOICE

Established in 2007, Flyingvoice is a global SME high-tech enterprise specializing in network communication terminal products. With research hubs strategically located in Bangkok, Hong Kong, and Shenzhen, and manufacturing facilities in Shenzhen and Vietnam, we ensure cutting-edge innovation and reliable production.

After more than 10 years of development, Flyingvoice has curated three product lines: IP Phones, POTS Replacement, and 5G FWA. Our mission is to provide SME customers with easily deployable and manageable network communication terminal products, along with voice and data communication solutions. We also offer the most comprehensive POTS Replacement solutions in the industry.

Flyingvoice products meet rigorous telecom-grade standards and are widely embraced by leading carriers globally. As of 2023, our POTS replacement products are favored by carriers in South Korea and North America, while IP Phones are extensively utilized in South Korea, India, and China. Notably, Flyingvoice's 5G FWA products have been mass deployed by carriers in China and India.

At the same time, Flyingvoice places great emphasis on supporting enterprise integration clients. With distribution and integration partners across major countries and regions worldwide, we've built a robust technical support system, guaranteeing efficient service delivery to our customers.

Copyright

Copyright © Flyingvoice Network Technology Co., Ltd. All rights reserved. No parts of this publication may be reproduced or transmitted in any form or by any means, electronic or mechanical, photocopying, recording, or otherwise, for any purpose, without the express written permission of Flyingvoice Network Technology Co., Ltd.

Technical Support

Visit www.flyingvoice.com for product documents and FAQ, or contact Flyingvoice by email at support@flyingvoice.com. We'll get you the help you need.



Flyingvoice Network Technology Co., Ltd.

Website: www.flyingvoice.com

Add: 1801-1802, Building 1, Chongwen Park, Nanshan Zhiyuan, Nanshan District, Shenzhen, China

Copyright © Flyingvoice Network Technology Co., Ltd. All Rights Reserved