

P10W

Entry-level Business Wi-Fi IP Phone

Flyingvoice P10W entry-level office IP phone, equipped with a 2.3-inch 132 x 64px B&W LCD screen with backlight, providing users with a clear visual experience. P10W supports 2 SIP accounts, built-in 2.4GHz & 5GHz Wi-Fi module, and integrated 100M dual network ports to meet the different networking needs of office communication of enterprise. It also supports 6-way conference, HD voice, and is easy to be installed and wall-mounted, adapting to different application scenarios of desktop office and wall-mounted use. This easy-to-use, cost-effective IP phone can help you maximize your office efficiency and achieve quality voice communication.



Key Features

Brand-new Look, Practical Details

P10W adapts a new UI design, with stylish appearance and easy-to-use interface, providing users with a more flexible and efficient collaboration experience in voice.

HD Voice, Better Calls

P10W supports Opus wide-band audio codec with advanced echo cancellation technology and intelligent noise cancellation technology to provide users with high-definition voice and achieve better voice call.

Dual-band Wi-Fi, Convenient Calls

P10W supports 2.4GHz & 5GHz dual-band Wi-Fi, which better adapts to wireless network access office. Meanwhile, 5G Wi-Fi has stronger anti-interference ability and faster speed, bringing users a better wireless experience.

Simple Installation, Easy Deployment

P10W with FRPS system and FACS platform for unified can be quickly and efficiently deployed in bulk, greatly reducing time and labor costs, is easy to manage, upgrade and maintain.

- 2.3" 132x64px B&W LCD with an adjustable backlight
- 2 x 10/100M Ethernet ports
- 2.4G & 5GHz Wi-Fi (802.11a/b/g/n/ac)
- 6-way audio conference
- 2 SIP accounts
- HD Voice
- Support RJ9 Headset
- Wall-mounted
- Stand with 2 adjustable angles
- Opus

Phone Features	
LCD Screen	> 2.3" 132x64px backlight B&W LCD > 16-bit color depth
Function Keys	> 7 Function key: Voice messages, Headset, Call transfer, Mute, Redial, Hands-free, Recording > 4 Soft keys, 4 Navigate key, Volume +/- keys
SIP Account	> 2 SIP Accounts
Wi-Fi	>2.4GHz & 5GHz (IEEE802.11a/b/g/n/ac)
Ethernet Ports	> 2*10/100M
Other Ports	> 1 x RJ9 Handset port, 1 x RJ9 Headset port
Phone Functions	
Basic Function	> Call hold, mute, DND, redial, auto answer, one-touch speed dial, hotline, SMS, call forward, call waiting, call transfer (attended/blind), Paging, voice mail, anonymous call, anonymous call rejection, message waiting indicator (MWI)
Direct IP Call	> Supported
Phone Book	> 2000 records; Phone book search/import/export; XML/LDAP remote phone book; Black list
Call History	> 240 records; call history: all/missed/dialed/received/forwarded
6-Way Audio Conference	> Support
Network Feature	> AP Mode, Wi-Fi to LAN
Audio Features	
HD Voice	> HD handset, HD speaker
Audio Codec	> G.722, Opus, AMR-WB(Optional), G.711WB(Optional), G.711(A/u), G.723, G.723.1, G.726, G.729A/B, AMR-NB(Optional), iLBC
DTMF	> In-band, RFC 2833, SIP info
Network	
Network and Security	> SIP v1 (RFC2543), v2 (RFC3261), NAT Traversal by STUN > SIP link mode: Proxy mode and peer-to-peer SIP link mode > Call server redundancy supported > HTTP/HTTPS web server > Static IP and DHCP, IPv4 /IPv6, Dual stack IPv4/IPv6 > ARP/RARP; DNS A/DNS SRV/DNS NAPTR > LLDP/CDP/DHCP VLAN; > IEEE802.1X; OpenVPN; PPPoE; SSH, L2TP VPN > QoS: 802.1p/Q tagging (VLAN), Layer 3 ToS DSCP > SRTP for voice > Time and Date Synchronization: SNTP, PBX, DHCP > Transport: UDP/TCP/TLS (TLS 1.2); RTP/RTCP/SRTP
Management	
Auto-provision	> TR069 (TR104/TR106) > FTP/TFTP/HTTP/HTTPS for Auto Provisioning > Cloud device management: FACS > Cloud device management: FRPS > DHCP Option66

Configuration	<ul style="list-style-type: none"> > Configuration: browser/phone/auto-provision > Phone lock for personal privacy protection > Factory reset, reboot > Packet capture, system log
----------------------	--

Others

Phone Information	<ul style="list-style-type: none"> > New Stand, Wall mountable > AC/DC Adapter: <ul style="list-style-type: none"> - AC Input: 100~240V, 50~60Hz - DC Output: 5V / 0.6A > Power consumption: 0.87~1.18W > Relative humidity: 10%~90% (No Condensing) > Storage temperature: -25~ 65°C > Operation temperature: -10~50°C > Dimension (W x H x D): 200mm×165mm×47mm
--------------------------	--

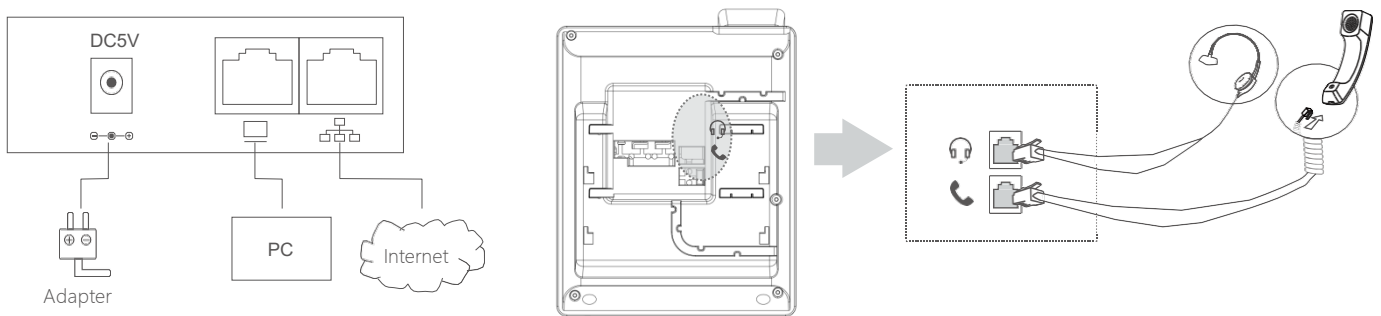
Packaging

Specific information	<p>Packing List:</p> <ul style="list-style-type: none"> - Flyingvoice P10W IP Phone, Power adapter - Handset with handset cord, Ethernet cable, Stand - Quick Start Guide <p>Size:</p> <ul style="list-style-type: none"> > Qty/CTN: 10 PCS, N.W/CTN: 7.5 kg, G.W/CTN: 9.47 kg > Giftbox size: 288mm * 217mm * 60mm > Carton size: 448mm * 320mm * 302mm
-----------------------------	---

Certification & Compatibility

Certificated by	
------------------------	---

Compatibility	
----------------------	--



About FLYINGVOICE

Established in 2007, Flyingvoice is a global SME high-tech enterprise specializing in network communication terminal products. With research hubs strategically located in Bangkok, Hong Kong, and Shenzhen, and manufacturing facilities in Shenzhen and Vietnam, we ensure cutting-edge innovation and reliable production.

After more than 10 years of development, Flyingvoice has curated three product lines: IP Phones, POTS Replacement, and 5G FWA. Our mission is to provide SME customers with easily deployable and manageable network communication terminal products, along with voice and data communication solutions. We also offer the most comprehensive POTS Replacement solutions in the industry.

Flyingvoice products meet rigorous telecom-grade standards and are widely embraced by leading carriers globally. As of 2023, our POTS replacement products are favored by carriers in South Korea and North America, while IP Phones are extensively utilized in South Korea, India, and China. Notably, Flyingvoice's 5G FWA products have been mass deployed by carriers in China and India.

At the same time, Flyingvoice places great emphasis on supporting enterprise integration clients. With distribution and integration partners across major countries and regions worldwide, we've built a robust technical support system, guaranteeing efficient service delivery to our customers.

Copyright

Copyright © Flyingvoice Network Technology Co., Ltd. All rights reserved. No parts of this publication may be reproduced or transmitted in any form or by any means, electronic or mechanical, photocopying, recording, or otherwise, for any purpose, without the express written permission of Flyingvoice Network Technology Co., Ltd.

Technical Support

Visit www.flyingvoice.com for product documents and FAQ, or contact Flyingvoice by email at support@flyingvoice.com. We'll get you the help you need.



Flyingvoice Network Technology Co., Ltd.

Website: www.flyingvoice.com

Add: 1801-1802, Building 1, Chongwen Park, Nanshan Zhiyuan, Nanshan District, Shenzhen, China

Copyright © Flyingvoice Network Technology Co., Ltd. All Rights Reserved