

## FIP14G

### Advanced 8-Line GigaE IP Phone

FIP14G is a new generation Gigabit IP phone that uses powerful sound processing technology and supports OPUS audio codecs, together these features bring with it the ultimate in user experience. FIP14G provides users with dual-port Gigabit Ethernet, PoE, and 2.4GHz Wi-Fi. These features facilitate a fast and simple deployment strategy connecting users across different locations. It allows for highly secure remote provisioning and software upgrades using standard encryption protocols.



#### Key Features and Benefits

##### Simple and Easy to Use UI Design

FIP14G comes with a simple design yet ergonomic design that is easy to use. Prompts guide you through a simple installation process making it easy to start a voice collaboration.

##### Rich Features, Meet Your Needs

FIP14G supports dual 10/100/1000 Mbps ports and built-in 2.4GHz Wi-Fi, connect people with the way you like. The built-in USB port allows you to record calls by plugging in a USB flash drive. Besides, FIP14G (Flash32) supports DECT headsets (Jabra, Plantronics, Sennheiser) by connecting Flyingvoice EHS10 headset adapter.

##### HD Voice Quality

FIP14G provides excellent voice quality. We have created high-definition sound quality solutions for handset and hands-free scenarios, even in a noisy environment.

##### High Security and Compatibility

All conversations are well protected. We make sure of security algorithms such as configuration files utilising AES, SRTP and TLS call encryption. The FIP1X series IP phones are widely compatible with SIP-based PBX platforms such as Asterisk, Broadsoft and 3CX.

- 3.5" 480 x 320px color display
- 8 SIP accounts
- 21 DSS/BLF keys
- HD voice
- Opus
- 2 x Gigabit Ethernet port
- 1 x USB port
- PoE
- Stand with 3 adjustable angles
- DECT headset, RJ9 headset
- 2.4G Wi-Fi
- Wall mountable
- 6-Way conferencing

### Audio Features

- > HD voice: HD handset, HD speaker
- > Wideband Codec: G.722, Opus, AMR-WB(Optional), G.711WB(Optional)
- > Narrowband Codec: G.711(A/u), iLBC, G.729AB, G.723, G.723.1, G.726, AMR-NB(Optional)
- > DTMF: In-band, RFC 2833 and SIP info
- > Full-duplex hands-free speakerphone
- > VAD, CNG, AEC, PLC, AJB, AGC

### Phone Features

- > 8 SIP accounts
- > Call hold, mute, DND, redial, auto answer
- > One-touch speed dial, hotline, SIP message
- > Call forward, call waiting, call transfer (attended/blind)
- > Paging, intercom, 6-Way conferencing, Dial rule
- > Direct IP call without SIP proxy
- > Set date time manually or automatically
- > IP conflict detection
- > 2.4 GHz Wi-Fi
- > Up to 21 DSS/BLF keys
- > USB port (2.0 compliant) for:
  - USB call recording
  - 5GHz Wi-Fi through USB Wi-Fi dongle

### Directory

- > Phone book (2000 records)
- > Black list
- > XML/LDAP remote phonebook
- > Phonebook search/import/export
- > Call history: dialed/received/missed (60 records)

### IP-PBX Features

- > BLF
- > Anonymous call, anonymous call rejection
- > Voice mail, call park, call pickup
- > Message waiting indicator (MWI)

### Feature Keys

- > 8 Line keys
- > 7 features keys: message, headset, hold, mute, transfer, redial, hands-free speakerphone
- > 4 Soft Keys
- > 5 Navigate Keys
- > Volume+/-

### Display and Indicator

- > 3.5" 480 x 320px color IPS screen with backlight
- > 16 bit depth color
- > LED for call and message waiting indication
- > Dual-color (red/green) illuminated LEDs for line status information
- > Intuitive user interface with icons and soft keys
- > Multilingual user interface
- > Caller ID with name and number
- > Power saving

### Interface

- > 2 x RJ45 Ports (Ethernet 10/100/1000 Base-T)
- > Support PoE (IEEE 802.3af), class 2
- > 1 x RJ9 Handset port
- > 1 x RJ9 Headset port
- > 1 x USB 2.0 port
- > 1 x Power adapter

### Management

- > Configuration: browser/phone/auto-provision
- > FTP/TFTP/HTTP/HTTPS for Auto Provisionin,
- > TR069 (TR104/TR106)
- > Reset to factory, reboot
- > Package tracing export, system log
- > DNS/DNS SRV (RFC 1706, RFC 2782)
- > NAPTR for SIP URI lookup (RFC 2915)
- > Cloud device management: FACS
- > DHCP server and DHCP client

### Others

- > Color: Classic grey
- > Stand with 3 adjustable angles
- > Wall mountable
- > AC/DC Adapter
  - AC Input: 100~240V, 50~60Hz
  - DC Output: 5V, 1A
- > Power consumption(PSU): 1.5-3.5W
- > Power consumption(PoE): 1.9-4.5W
- > Dimension (W x H x D x T) :
  - 190mm x 188.5mm x 173mm x 41.5mm
- > Relative humidity: 10%~90% (No Condensing)
- > Storage temperature: -25~ 65°C
- > Operation temperature: 0~45°C

### Network and Security

- > SIP v1 (RFC2543), v2 (RFC3261)
- > Call server redundancy supported
- > NAT Traversal By STUN
- > Proxy mode and peer-to-peer SIP link mode
- > IP assignment: Static IP and DHCP
- > HTTP/HTTPS web server
- > Time and date synchronization using SNTP
- > SDP (RFC 2327), UDP/TCP
- > Mutil-VLAN, DSCP and 802.1p QoS
- > SRTP
- > TLS
- > HTTPS certificate manager
- > AES encryption for configuration file
- > Digest authentication
- > IEEE802.1X, OpenVPN
- > IPv4 /IPv6, Dual stack IPv4/IPv6
- > PPPoE
- > RTP/RTCP (RFC 1889, RFC 1890)
- > ARP/RARP (RFC 826/903)
- > IEEE802.1Q VLAN/802.1p/DSCP
- > LLDP/CDP/DHCP VLAN
- > SSH

### Package Contents

- Flyingvoice FIP14G IP Phone
- Handset with handset cord
- Ethernet cable
- Stand
- Quick start guide
- Power adapter (Optional)

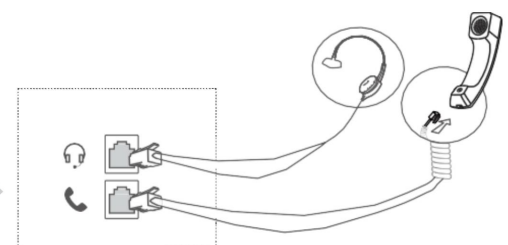
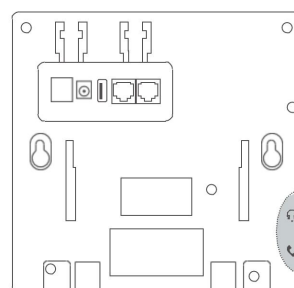
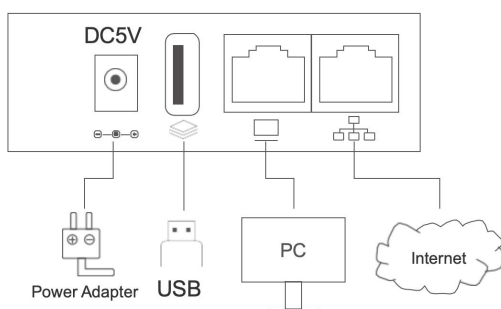
### Weight&Size

- N.W/CTN: 0.74kg
- G.W/PCS: 0.97kg
- QTY/CTN: 10, G.W/CTN: 10.60 kg
- Giftbox size: 270mm x 195mm x 78mm
- Carton meas: 420mm x 420mm x 290mm

### Certificated by



### Compatible with



## About Flyingvoice

Flyingvoice is a leading manufacturer of VoIP phones, ATA& gateways and VoIP routers. These products are preferred globally by international carriers, ITSP's, ISP's, corporate companies, and home users alike.

Driven by a need for ongoing innovation within VoWLAN technologies, Flyingvoice is committed to manufacturing products that allow for ease-of-installation scenarios within an enterprise network. Our people continuously improve existing products as well as expand upon product applications tailored to clients' requirements. These improvements ensure that your experience provides for secure, effective and efficient collaboration – anytime & anywhere.

## Copyright

Copyright © Flyingvoice Network Technology Co., Ltd. All rights reserved. No parts of this publication may be reproduced or transmitted in any form or by any means, electronic or mechanical, photocopying, recording, or otherwise, for any purpose, without the express written permission of Flyingvoice Network Technology Co., Ltd.

## Technical Support

Visit [www.flyingvoice.com](http://www.flyingvoice.com) for product documents and FAQ, or contact Flyingvoice by email at [support@flyingvoice.com](mailto:support@flyingvoice.com). We'll get you the help you need.



Flyingvoice Network Technology Co., Ltd. Website:

[www.flyingvoice.com](http://www.flyingvoice.com)

Add: 1801-1802, Building 1, Chongwen Park, Nanshan Zhiyuan,  
Nanshan District, Shenzhen, China.

Copyright© Flyingvoice Network Technology Co., Ltd. All Rights Reserved